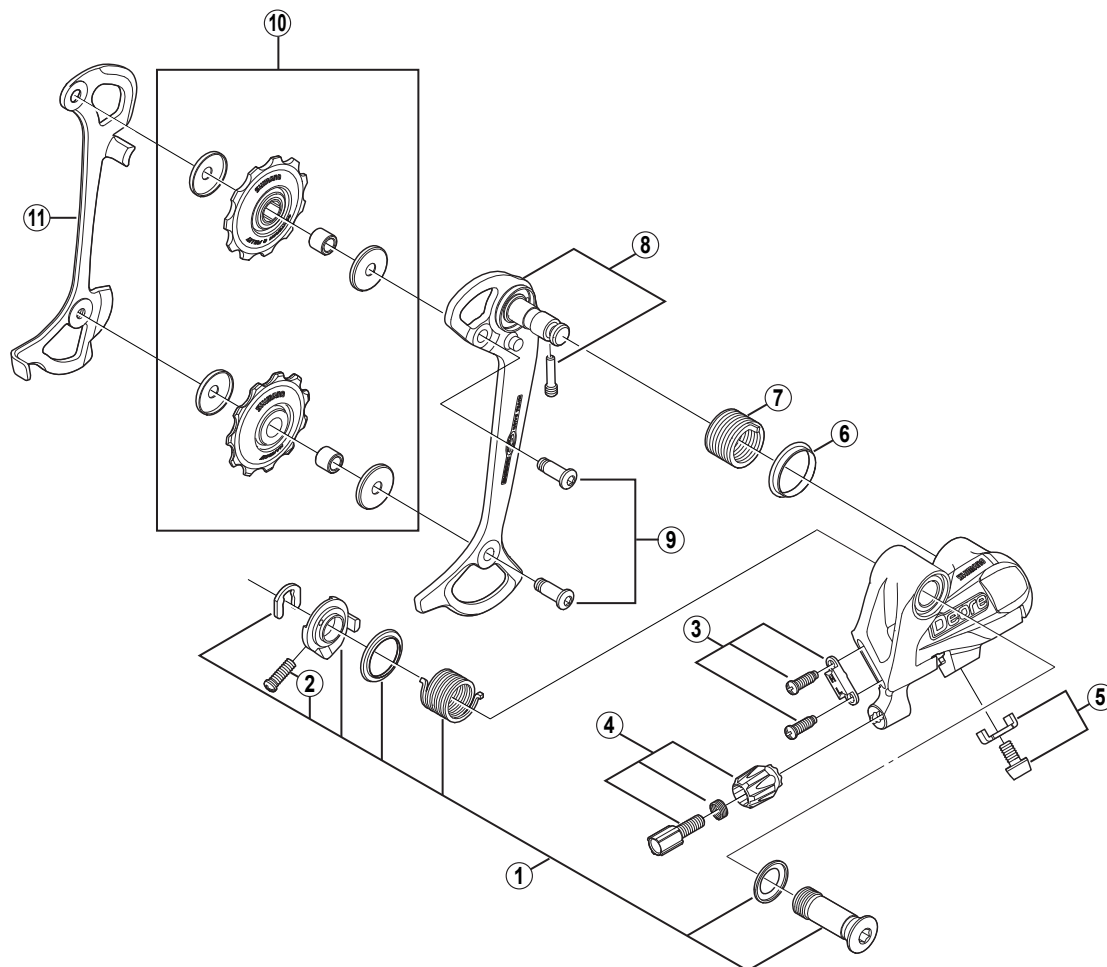


DEORE Rear Derailleur

RD-M531 -SGS-S Silver Version

RD-M531 -SGS-L Black Version



RD-M530
RD-M511

ITEM NO.	SHIMANO CODE NO.	DESCRIPTION	INTERCHANGEABILITY	
1	Y-5VM 98010	B-Axle Assembly	A	A
2	Y-556 25020	B-Tension Adjusting Screw (M4 x 12)	A	A
3	Y-5VA 98020	Stroke Adjusting Screws (M4 x 11.5) & Plate	A	A
4	Y-5VM 98020	Cable Adjustig Bolt Unit	A	A
5	Y-5W9 98010	Cable Fixing Bolt (M5 x 8.5) & Plate		
6	Y-5UC 14000	P-Seal Ring	A	
7	Y-5UF 14100	P-Tension Spring	A	A
8	Y-5VM 98040	Outer Plate Assembly (SGS-Type)	A	A
9	Y-5VM 98060	Pulley Bolt (M5 x 13.95) 2 pcs .	A	A
10	Y-5VM 98070	Guide & Tension Pulley Set	A	A
11	Y-5VA 10100	Inner Plate (SGS-Type)	A	A

A: Same parts.

B: Parts are usable, but differ in materials, appearance, finish, size, etc.

Absence of mark indicates non-interchangeability.

0705-2683

Specifications are subject to change without notice.

SHIMANO