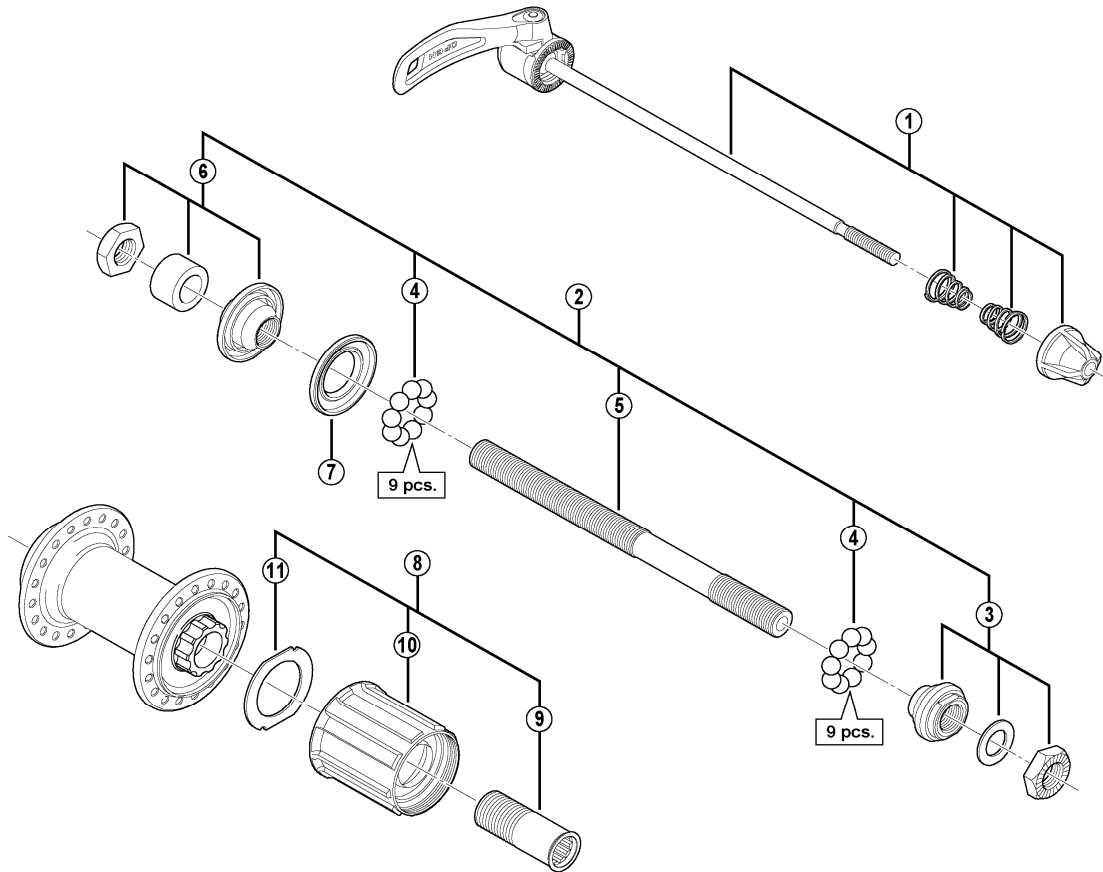


SHIMANO Freehub
FH-M430-S Silver Version
FH-M430-L Black Version



FH-M590

ITEM NO.	SHIMANO CODE NO.	DESCRIPTION	INTERCHANGEABILITY		
1	Y3T898010	Complete Quick Release 168 mm (6-5/8")	B		
2	Y3T898030	Complete Hub Axle 146 mm (5-3/4")			
3	Y3T898040	Right Hand Lock Nut Unit			
4	Y00091310	Steel Ball (1/4") 18 pcs.	A		
5	Y30K01200	Hub Axle 146 mm (5-3/4")	A		
6	Y3T898050	Left Hand Lock Nut Unit			
7	Y3CR09000	Left Hand Seal Ring	A		
8	Y3T898060	Complete Freewheel Body w/Body Fixing Bolt			
9	Y3BL03000	Body Fixing Bolt	A		
10	Y3T898070	Complete Freewheel Body			
11	Y3AN10000	Freewheel Body Washer	A		

A: Same parts.
 B: Parts are usable, but differ in materials, appearance, finish, size, etc.
 Absence of mark indicates non-interchangeability.

Feb.-2010-2995
 © Shimano Inc. A

Specifications are subject to change without notice.

SHIMANO