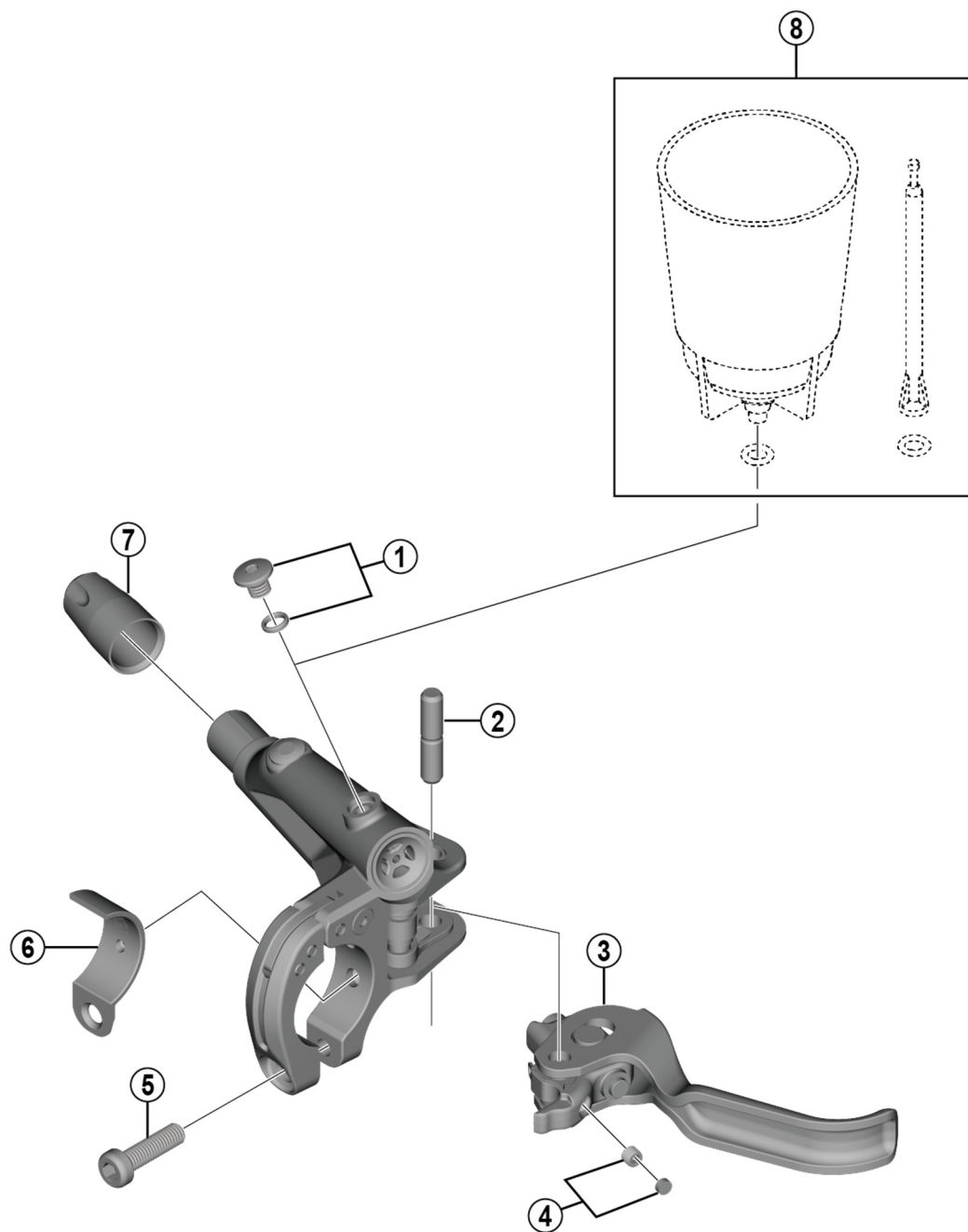


Brake Lever

BL-MT500 For Disc Brake



BL-M8000

ITEM NO.	SHIMANO CODE NO.	DESCRIPTION	INTERCHANGEABILITY
1	Y8RM98010	Bleed Screw & O-Ring	B
2	Y8RM08000	Lever Axle 5	B
3	Y8RM98020	R.H. Lever Member Unit	B
	Y8RM98030	L.H. Lever Member Unit	B
4	Y8VJ98040	Lever Axle Fixing Bolt & Cap	B
5	Y8MX05000	Clamp Bolt (M5 x 18)	A
6	Y8WM05000	BL Band Adapter	A
7	Y8WM14000	Cover	A
8	ESMDISCBP	Funnel & Oil Stopper	A

A: Same parts.

B: Parts are usable, but differ in materials, appearance, finish, size, etc.

Absence of mark indicates non-interchangeability.

Specifications are subject to change without notice.

May-2017-4182

© Shimano Inc. I

SHIMANO