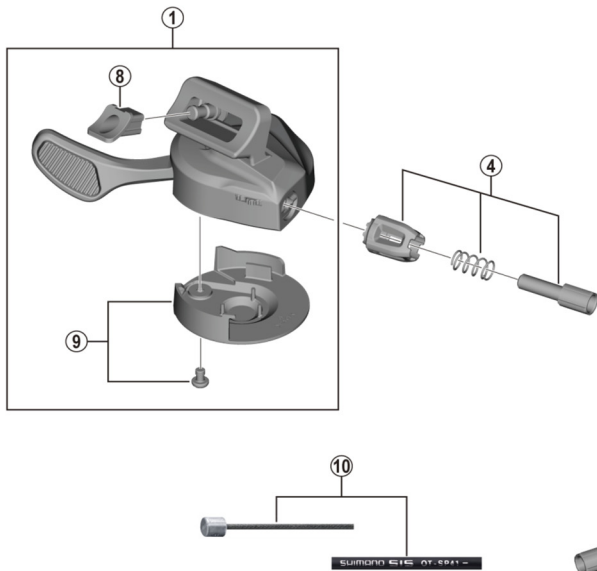
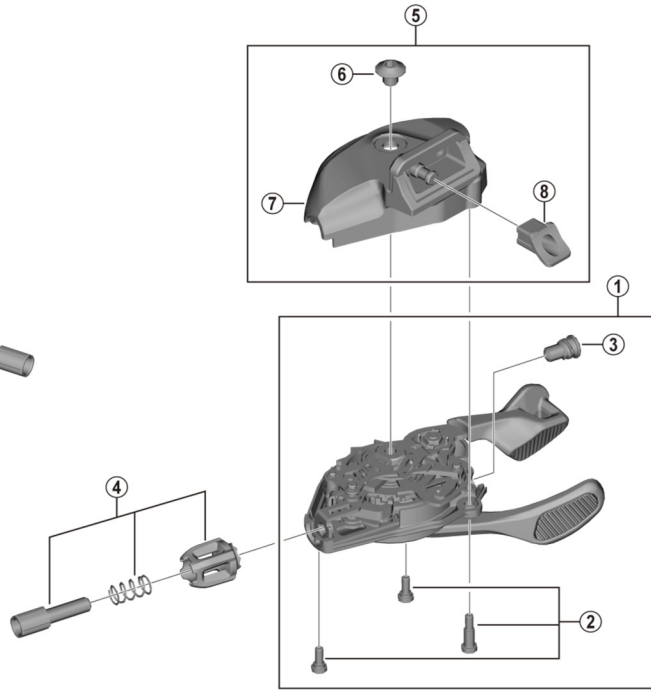


DEORE XT Shifting Lever (I-spec EV)
SL-M8100-I (2x12-speed)

For Left Hand



For Right Hand



ITEM NO.	SHIMANO CODE NO.	DESCRIPTION	INTERCHANGEABILITY		
			SL-M9100-I	SL-M9000	SL-M8000
1	Y0GT98030	R.H. Shifting Lever Unit	B		
	Y0GU98030	L.H. Shifting Lever Unit			
2	Y0GT98040	R.H. Base Cover Fixing Screw Unit			
3	Y0FA05000	R.H. Inner Hole Cap	A		
4	Y06N98040	Cable Adjusting Bolt Unit	A	B	A
5	Y0GT98050	R.H. Cover Unit			
6	Y0FA44000	Unit Fixing Bolt	A		
7	Y0GT98060	R.H. Cover			
8	Y0GT10000	Integration Nut	B		
9	Y0GU98020	L.H. Lever Cap & Fixing Screw	A		
10	Y60198090	OT-SP41 OPTISLICK shift cable sets (Black) • Sealed outer caps, plastic (9 pcs.) • Sealed outer cap nose (1 pc.) • Rubber shield (1 pc.) • Inner end caps (2 pcs.)			A
	Y60198091	OT-SP41 OPTISLICK shift cable sets (White) • Sealed outer caps, plastic (9 pcs.) • Sealed outer cap nose (1 pc.) • Rubber shield (1 pc.) • Inner end caps (2 pcs.)			A

A: Same parts.

B: Parts are usable, but differ in materials, appearance, finish, size, etc.

Absence of mark indicates non-interchangeability.

Specifications are subject to change without notice.

Jun.-2019-4519

© Shimano Inc. I

SHIMANO