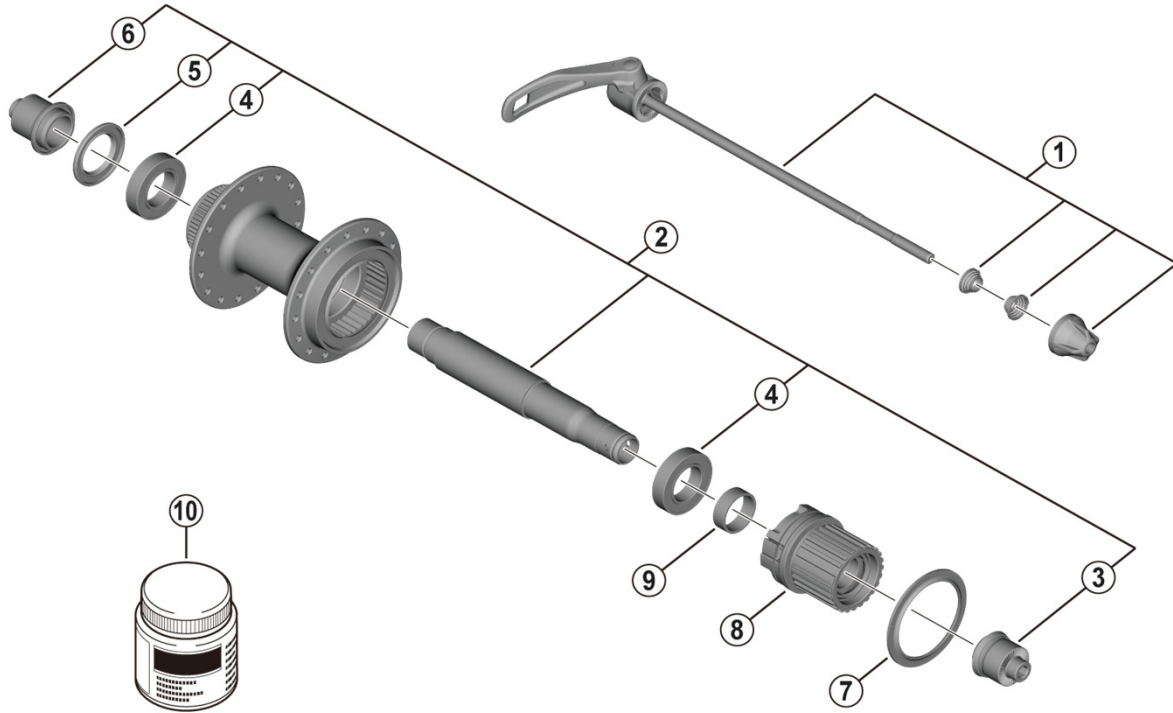


Freehub (12-Speed) For Disc Brake

# FH-MT401 FH-MT401-B



• Over Lock Nut Dimension: 135 mm for FH-MT401 / 141 mm for FH-MT401-B

ITEM NO.	SHIMANO CODE NO.	DESCRIPTION	FH-M4050		FH-MT500	
			INTERCHANGE-ABILITY			
1	Y4SK98120	Complete quick release 168 mm	A	A		
	Y31H98010	Complete quick release 173 mm	A	A		
	Y3HW98010	Complete quick release 174 mm	A	A		
	Y3GC98040	Complete Quick Release 178 mm	A	A		
2	Y3HX98010	Complete hub axle for FH-MT401				
	Y3HW98020	Complete hub axle for FH-MT401-B				
3	Y3HW98030	Right hand cap unit				
4	Y3HV48000	Ball bearing				
5	Y26D10000	Seal ring			A	
6	Y3HW98040	Left hand nut with dust cover				
7	Y3GD10000	Outer seal cap			A	
8	Y3HU98020	Freewheel body unit			B	
9	Y3HV47000	Spacer				
10	Y3B980000	Grease for freehub 50 g			A	

A: Same parts.

B: Parts are usable, but differ in materials, appearance, finish, size, etc.

Absence of mark indicates non-interchangeability.

Jul.-2021-4714C

© Shimano Inc. |

Specifications are subject to change without notice.

# SHIMANO