

FREEHUB (For Disc Brake)

FH-TC500-MS

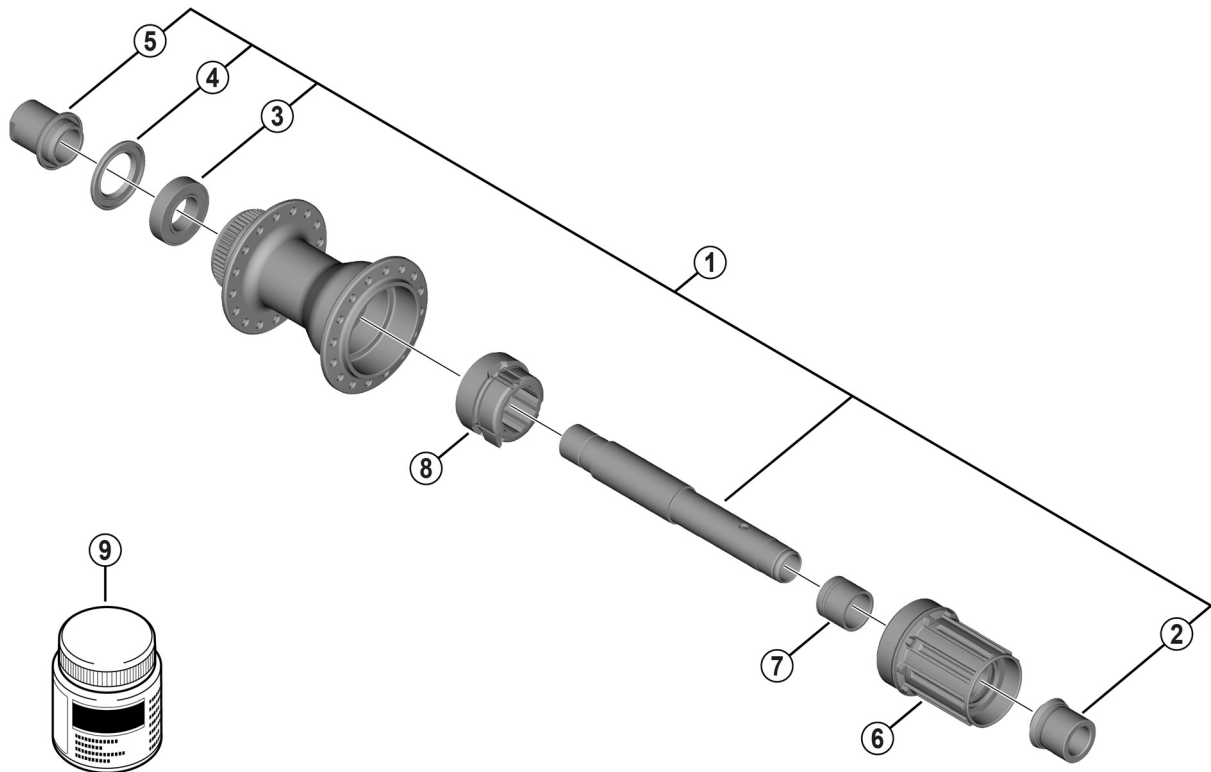
FH-TC500-MS-B

12-speed

FH-TC500-HM

FH-TC500-HM-B

11/10/9/8-speed



• O.L.D.

142 mm for FH-TC500-MS / FH-TC500-HM

148 mm for FH-TC500-MS-B / FH-TC500-HM-B

ITEM NO.	SHIMANO CODE NO.	DESCRIPTION	INTERCHANGEABILITY	
			FH-MT410	FH-MT70
1	Y3JW98010	Complete hub axle for FH-TC500-MS / FH-TC500-HM		
	Y3JV98010	Complete hub axle for FH-TC500-MS-B / FH-TC500-HM-B		
2	Y3HV98020	Right cap	A	
3	Y3JV9801T	Sealed cartridge bearing (15 x 28 x 7)		
4	Y26D10000	Seal ring	A	A
5	Y3JV98020	Left-hand lock nut		
6	Y3JV98030	Freewheel body unit (MICRO SPLINE)		
	Y3JZ98010	Freewheel body unit (HG spline M)		
7	Y3JV9802T	Bush		
8	Y3JV98040	Inner unit		
9	Y3B980000	Grease for freehub 50 g	A	

A: Same parts.

B: Parts are usable, but differ in materials, appearance, finish, size, etc.

Absence of mark indicates non-interchangeability.

Specifications are subject to change without notice.

Mar.-2023-5042

© Shimano Inc. |

SHIMANO